



[www.jw-bearing.com](http://www.jw-bearing.com)



洛阳嘉维轴承制造有限公司  
Luoyang Jiawei Bearing Manufacturing Co., Ltd.

**SLEWING DRIVE**  
回转驱动

企 / 业 / 概 / 况

# ENTERPRISE Introduction >>

洛阳嘉维轴承致力于回转支承，减速机，齿圈，齿轮轴的生产，广泛应用于工程机械，港口设备，矿山机械，风力发电等其他领域。

减速机的直径从3”到25”，为客户量身定制方案，满足不同形式的设计需求。

Luoyang Jiawei Bearing Manufacturing Co.,Ltd is a professional Manufacture of Slewing Bearing, Slewing Drive, Gear, Gear Shaft. The productions are widely applied on construction machinery, port facilities, mining, wind energy and other fields.

There are kinds of models of production from 3” to 25”，the slewing drive can be customized to meet the special requirement for new energy and engineering machinery application.



# Product Introduction

产 / 品 / 介 / 绍

## S-Series Slewing Drive 敞开式 /



■ 型号Type: S14-2

技术参数Parameter

输出转矩Output Torque:12kN.m  
倾覆力矩Tilting Moment:67.8kN.m  
保持力矩Holding Torque:48kN.m  
轴向静载荷Tatic Axial Rating:555kN  
精度等级Precision: $\leq 0.17^\circ$   
减速比Gear Ratio:85:1



■ 型号 Type: S17

技术参数Parameter

输出转矩Output Torque :10 kN.m  
倾覆力矩Tilting Moment:135.6 kN.m  
保持力矩Holding Torque :72.3 kN.m  
轴向静载荷Tatic Axial Rating:970 kN  
精度等级Precision: $\leq 0.15^\circ$   
减速比Gear Ratio :102:1

## WG Series Slewing Drive 双极传动 /



■ 型号 Type: WG14

技术参数Parameter

输出转矩Output Torque: 8 kN.m  
倾覆力矩Tilting Moment: 67.8 kN.m  
保持力矩Holding Torque: 48 kN.m  
轴向静载荷Tatic Axial Rating:555 kN  
精度等级Precision: $\leq 0.17^\circ$   
减速比Gear Ratio:195:1

## PE Series Slewing Drive 精密型 /



■ 型号Type: PDE3

技术参数Parameter

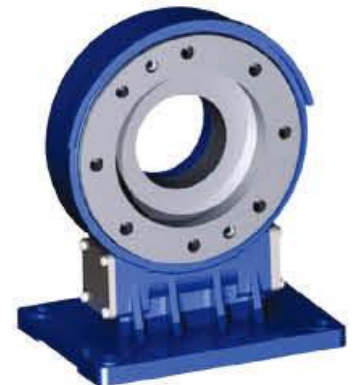
输出转矩Output Torque:400 N.m  
倾覆力矩Tilting Moment:500 N.m  
保持力矩Holding Torque:2000 N.m  
轴向静载荷Tatic Axial Rating:30 kN  
精度等级Precision: I : $\leq 0.08^\circ$  II : $\leq 0.12^\circ$   
III : $\leq 0.15^\circ$



■ 型号Type: PE3C

技术参数Parameter

输出转矩Output Torque:400N.m  
倾覆力矩Tilting Momen:1100N.m  
保持力矩Holding Torque:2000N.m  
轴向静载荷Tatic Axial Rating:30kN  
精度等级Precision: I : $\leq 0.08^\circ$   
II : $\leq 0.12^\circ$  III : $\leq 0.15^\circ$   
减速比Gear Ratio:62:1



■ 型号Type: PVE7

技术参数Parameter

输出转矩Output Torque:1500 N.m  
倾覆力矩Tilting Moment:6000 N.m  
保持力矩Holding Torque:10400 N.m  
轴向静载荷Tatic Axial Rating:133 kN  
精度等级Precision: I : $\leq 0.05^\circ$  II : $\leq 0.07^\circ$   
III : $\leq 0.11^\circ$

## SE,PE Series Slewing Drive 围栏型水平式/



■ 型号Type: SE5A

技术参数Parameter

输出转矩Output Torque: 600N.m  
倾覆力矩Tilting Moment: 3000N.m  
保持力矩Holding Torque: 5500N.m  
轴向静载荷Tatic Axial Rating: 45 kN  
精度等级Precision:  $\leq 0.2^\circ$   
减速比Gear Ratio: 62:1



■ 型号Type: WE9

技术参数Parameter

输出转矩Output Torque: 8kN.m  
倾覆力矩Tilting Moment: 35.6kN.m  
保持力矩Holding Torque: 38.7kN.m  
轴向静载荷Tatic Axial Rating: 578kN  
精度等级Precision:  $\leq 0.15^\circ$   
减速比Gear Ratio: 62:1



■ 型号Type: ZE12A

技术参数Parameter

输出转矩Output Torque: 4.5kN.m  
倾覆力矩Tilting Moment: 54.3kN.m  
保持力矩Holding Torque: 43kN.m  
轴向静载荷Tatic Axial Rating: 475 kN  
精度等级Precision:  $0^\circ$   
减速比Gear Ratio: 78:1

## ZE Series Slewing Drive 零间隙/



■ 型号Type: ZDE3

技术参数Parameter

输出转矩Output Torque: 240 N.m  
倾覆力矩Tilting Moment: 500 N.m  
保持力矩Holding Torque: 2000 N.m  
轴向静载荷Tatic Axial Rating: 30 kN  
精度等级Precision:  $0^\circ$   
减速比Gear Ratio: 62:1



■ 型号Type: ZE14A

技术参数Parameter

输出转矩Output Torque: 4.8 kN.m  
倾覆力矩Tilting Moment: 67.8 kN.m  
保持力矩Holding Torque: 48 kN.m  
轴向静载荷Tatic Axial Rating: 555 kN  
精度等级Precision:  $0^\circ$   
减速比Gear Ratio: 85:1



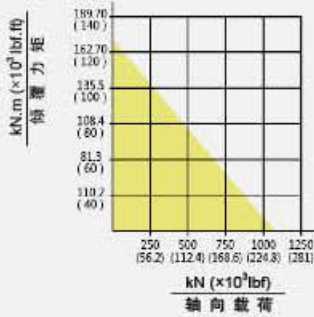
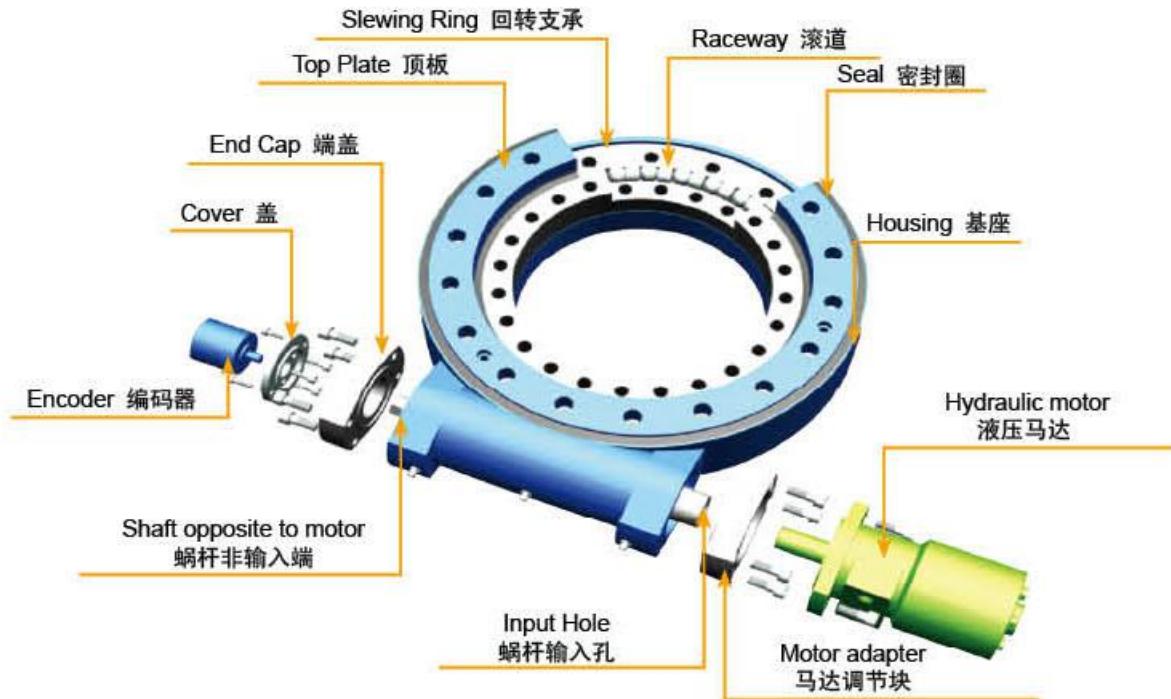
■ 型号Type: ZVE7

技术参数Parameter

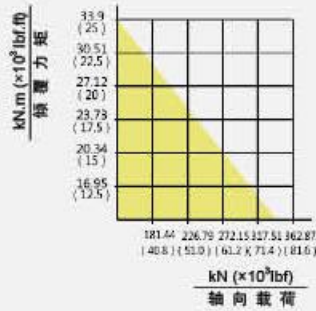
输出转矩Output Torque: 600 N.m  
倾覆力矩Tilting Moment: 6000 N.m  
保持力矩Holding Torque: 10400 N.m  
轴向静载荷Tatic Axial Rating: 133 kN  
精度等级Recision:  $0^\circ$   
减速比Gear Ratio: 73:1

# Slewing Drive Parts Drawing

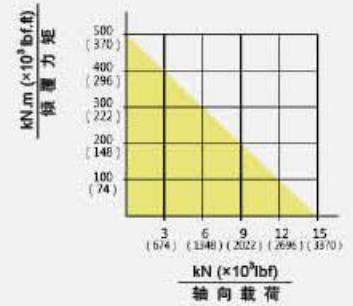
回 / 转 / 驱 / 动 / 分 / 解 / 图



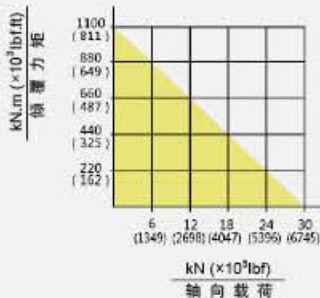
HSE2



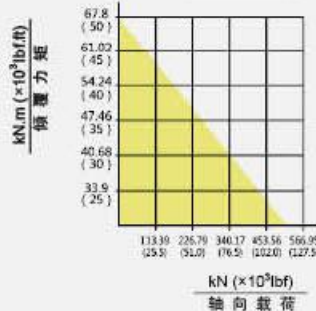
S9



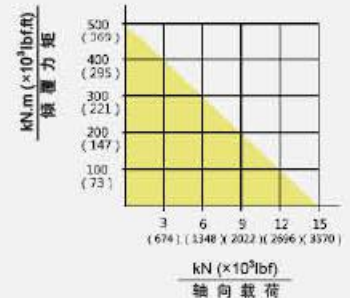
SDE3



SE3C

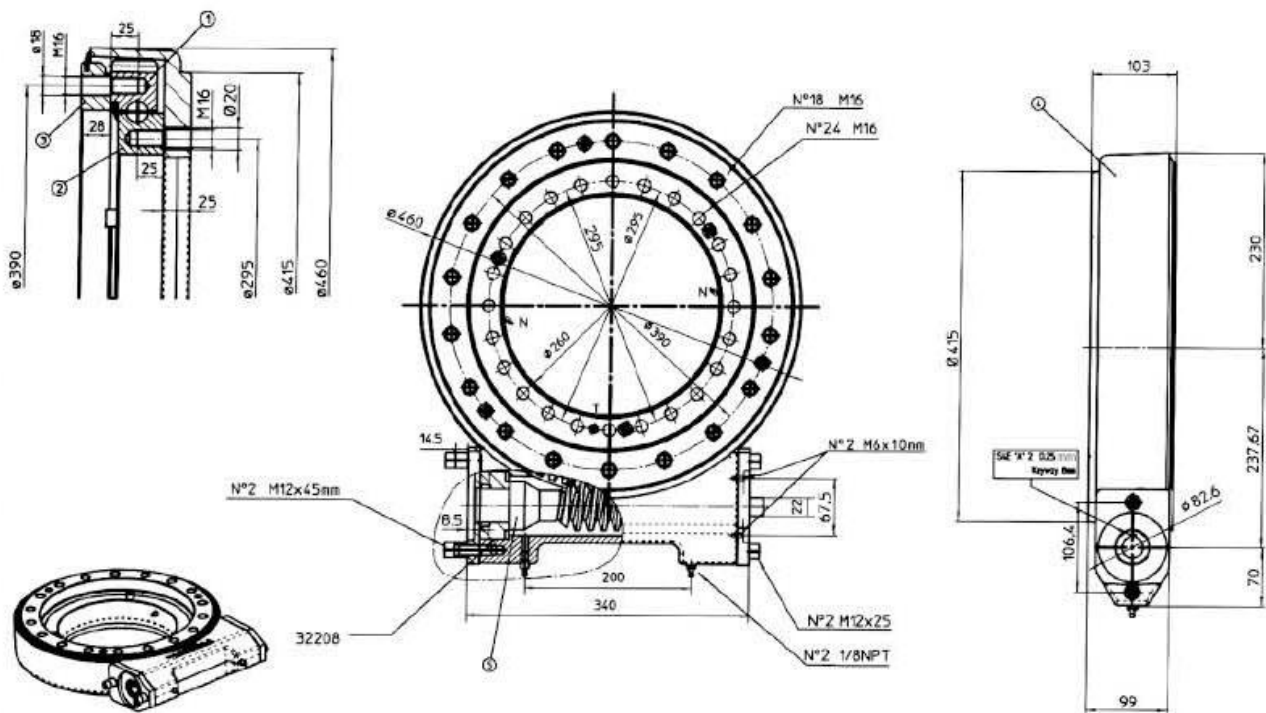
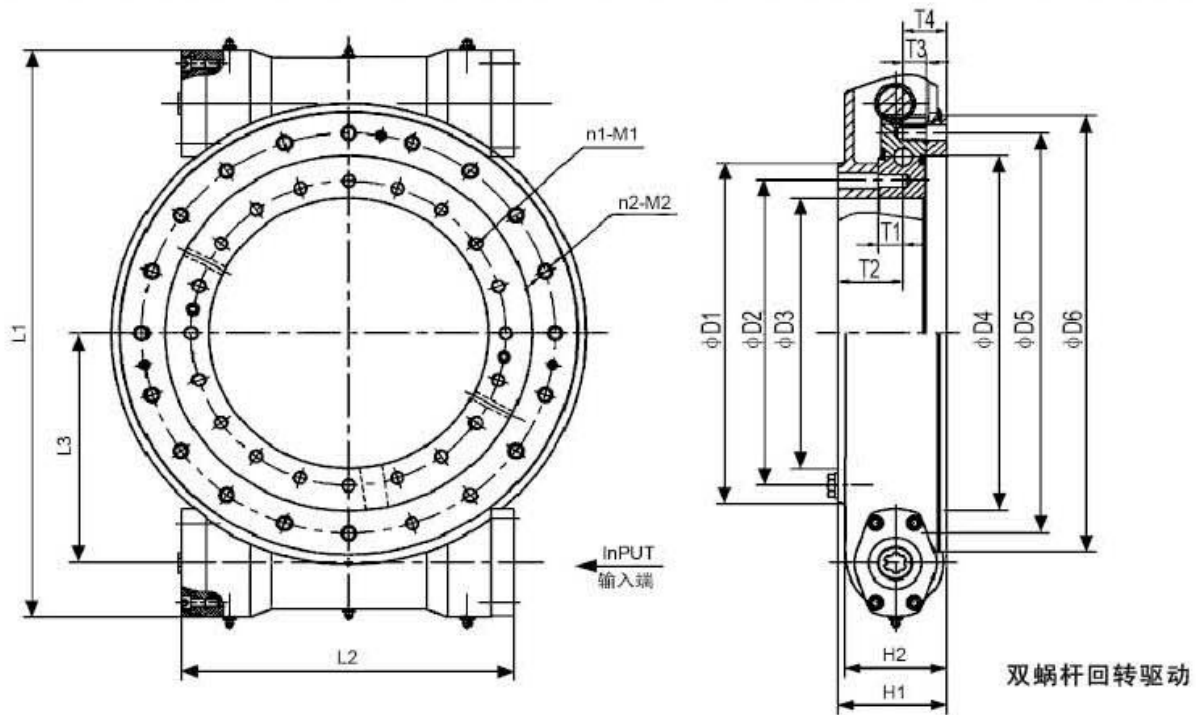


SE14



VE3

For detailed drawing, please contact us 详细图纸请联系我们





Application  
应用



嘉维轴承  
JIAWEI BEARING

■地址：洛阳市宜阳产业集聚区轴承产业园  
Add: Bearing Zone, Yiyang Industry Cluster  
District, Luoyang City, Henan Province, China

■国内销售

Domestic Department

电话Tel: 0379-68777168 68777169

传真Fax: 0379-68777190

网址Web: [www.lyjwzcc.com](http://www.lyjwzcc.com)

邮箱Email: [lyjwzcc@jw-bearing.com](mailto:lyjwzcc@jw-bearing.com)

■国外销售

International Department

电话Tel: 86-379-68777161

传真Fax: 86-379-68777160

网址Web: [www.jw-bearing.com](http://www.jw-bearing.com)

邮箱Email: [export@jw-bearing.com](mailto:export@jw-bearing.com)

嘉维轴承

